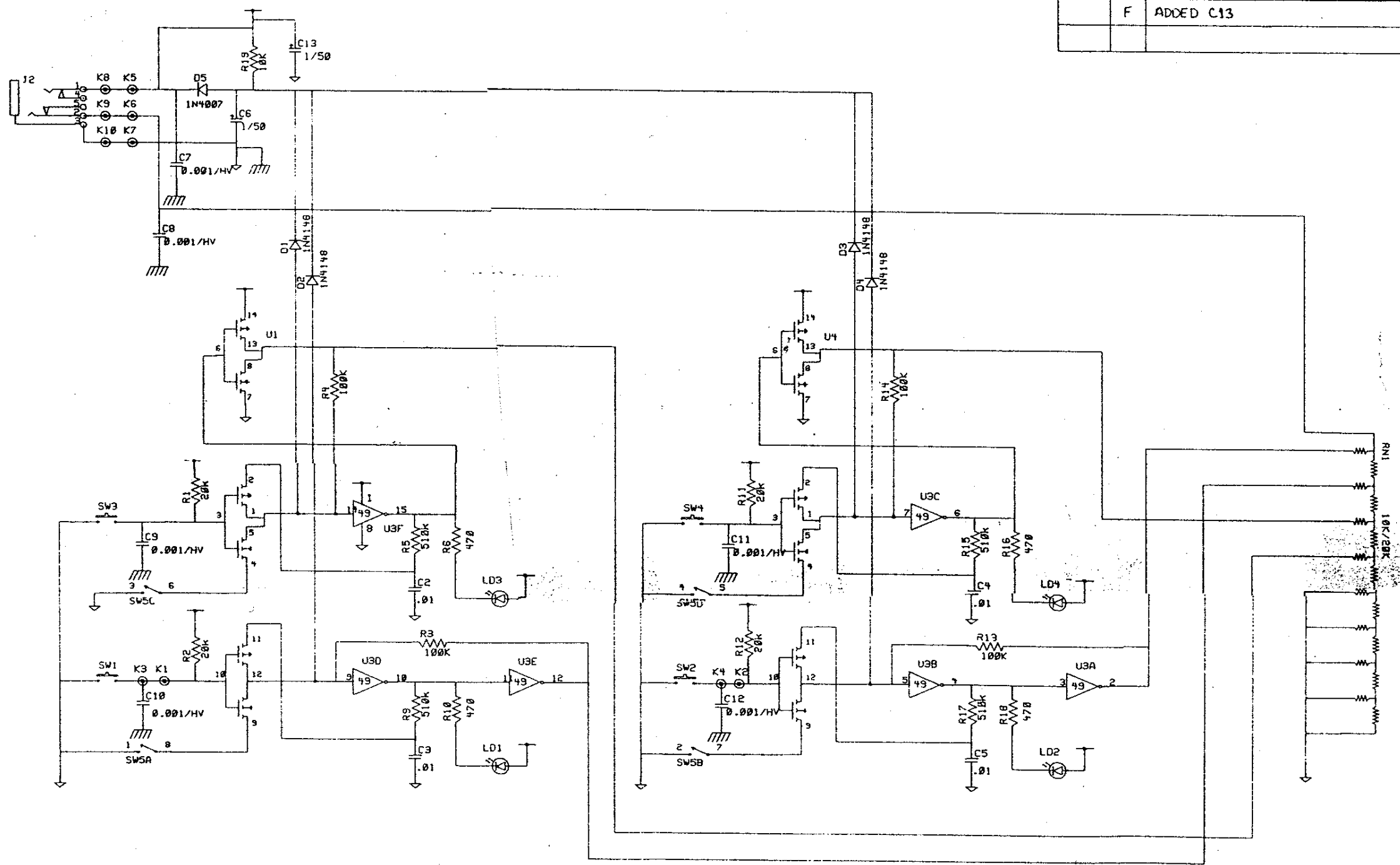


8 7 6 5 4 3 2 1

REVISIONS				
ZONE	REV.	DESCRIPTION	DATE	APPROVED
	D	ADDED ESD CAPS, CRCTD LATCH	7/27/93	
	E	CHG'D C6 0.47 TO 1uF	8/21/93	
	F	ADDED C13	11/7/93	



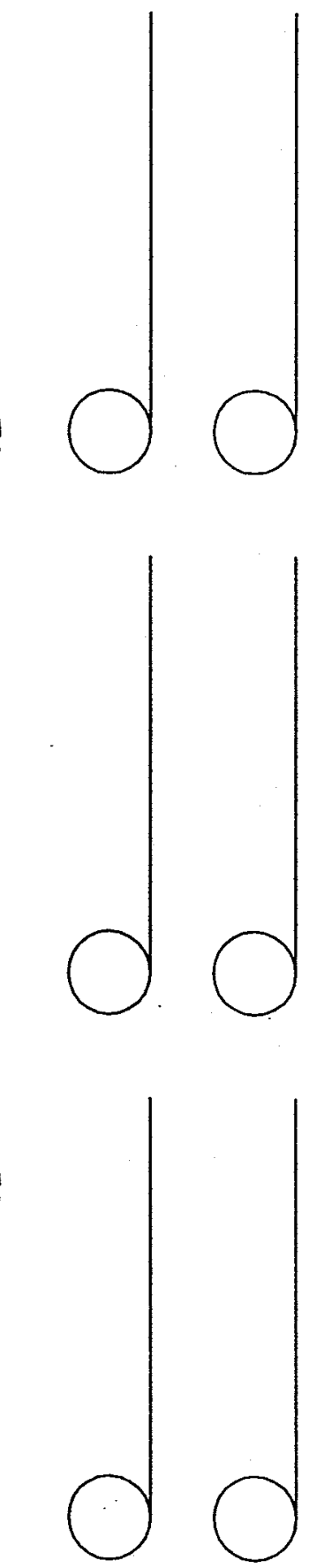
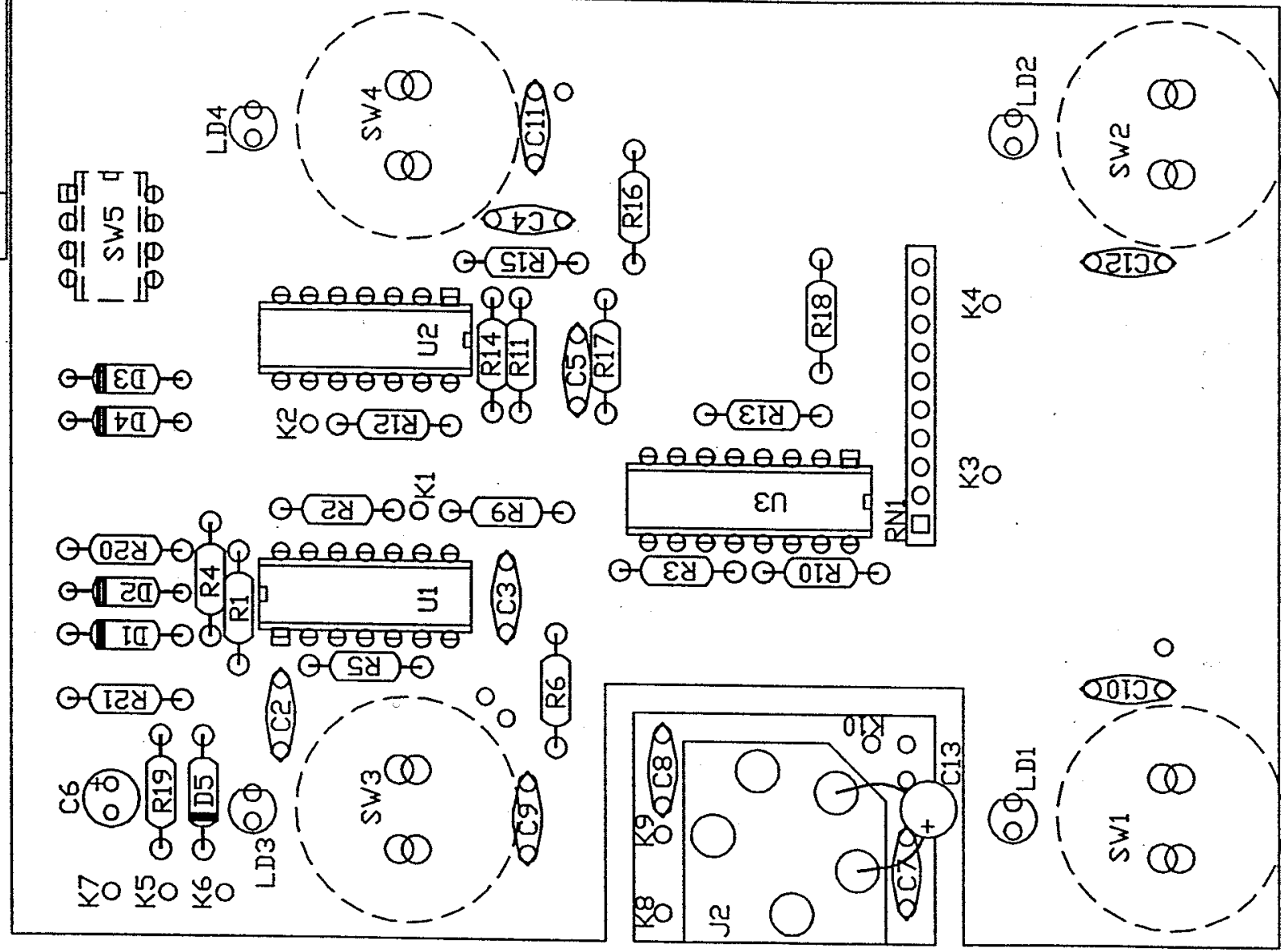
- NOTES:
1. DIP SWICHES SHOWN IN LATCHING POSITION.
 2. U3 PIN 1, Vcc: PIN 8, GND.
 3. R20, R21 0 OHM JUMPERS.

PROPRIETARY <small>THIS DRAWING DOCUMENT CONTAINS INFORMATION WHICH IS PROPRIETARY TO AND THE PROPERTY OF ADA, INC. AND MAY NOT BE USED, REPRODUCED OR DISCLOSED IN ANY MANNER WITHOUT THE EXPRESSED WRITTEN CONSENT OF ADA, INC.</small>		ADA SIGNAL PROCESSORS, INC. 7303 D EDGEWATER DRIVE OAKLAND, CA 94621 USA	
FILENAME: c702f		SCHEMATIC: MCCS QUAD SWITCH	
CHECKED BY:	DATE:	DRAWN: EMB	SIZE: DRAWING NUMBER
APPROVED:	DATE:	ENGR: DJT	REV.
SCALE:		DATE: 00-NOV-93	SHEET 1 OF

D
C
B
A

ORIGINAL

REVISION HISTORY			
REV.	DESCRIPTION	SIGNATURE	DATE
A	DRAWING RELEASE		11/3/93
B	MV'D SW5 TO POST DIP		11/4/93
C	ADDED C13		11/7/93
D	CRRECT'D LED ORIENTATION		11/17/93
-	-	-	-
-	-	-	-



THIS DRAWING DOCUMENT CONTAINS INFORMATION WHICH IS PROPRIETARY TO AND THE PROPERTY OF ADA, INC. AND MAY NOT BE USED, REPRODUCED OR DISCLOSED IN ANY MANNER WITHOUT THE EXPRESSED CONSENT OF ADA, INC.

FILE NAME: A782D.DWG
CHECKED BY:
DATE:
APPROVED BY:
DATE:

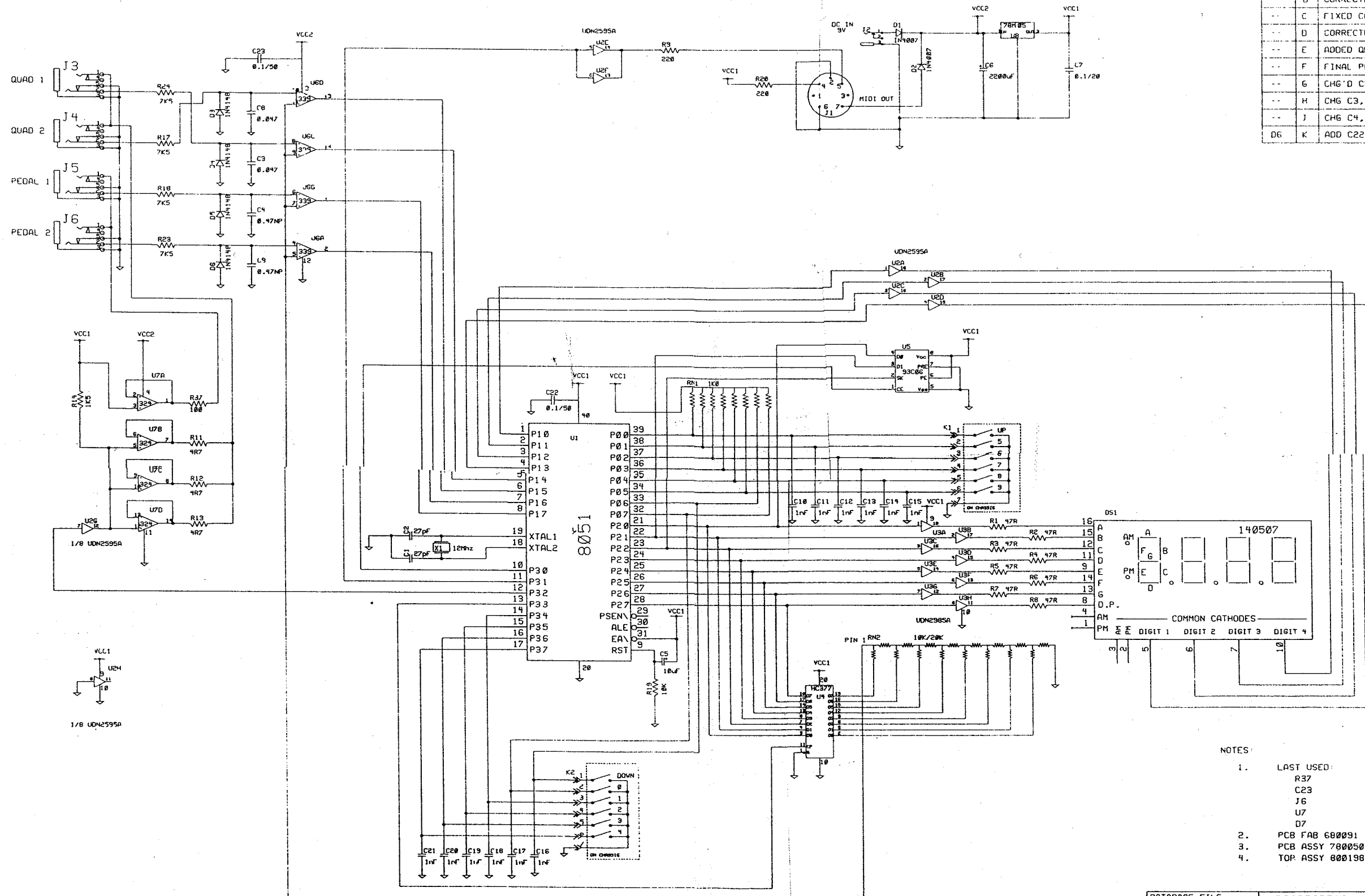
ADA SIGNAL PROCESSORS, INC.
420 LESSER STREET, OAKLAND, CA 94601

TITLE: QUAD SWITCH, LOADING
CHART (780056)
DRAWN: D.WIRT
ENGR:
SCALE:
DATE: 11/3/93
SHEET 1 OF 1

REV	DRAWING NO.	SIZE
D	782	A

REVISIONS

ZONE	REV	DESCRIPTION	DATE	APPROVED
	A	CORRECTED VCC1, VCC2	9/24/91	
	B	CORRECTED K1, K2	9/26/91	
	C	FIXED CONNECTIVITY ERRORS	10/4/91	
	D	CORRECTED MIDI OUT JACK	1/2/92	
	E	ADDED QUAD JKS, ESD PRCTN	3/12/93	
	F	FINAL PRTO CRPCTNS, RELEASE	6/17/93	
	G	CHG'D C3, C8 TO 0.1; U5 P7	7/22/93	
	H	CHG C3, 4, 8, 9 R17, 18, 23, 24, 37	8/21/93	
	J	CHG C4, C9, C1, C2, P24/R17	10/25/93	
D6	K	ADD C22, 23; CHG VCC1 TO VCC2	11/24/93	



- NOTES:
- LAST USED:
R37
C23
J6
U7
U7
 - PCB FAB 600091
 - PCB ASSY 700050
 - TOP ASSY 000198

DATABASE FILE D700J.DBF CHECKED BY: _____ DATE: _____ APPROVED: _____ DATE: _____ TOLERANCES: UNLESS OTHERWISE NOTED X.XX -0.050" X.XXX -0.012" X.XXX -0.006" ANGLES -0.5001"	PROPRIETARY THIS DRAWING DOCUMENT CONTAINS INFORMATION WHICH IS PROPRIETARY TO AND IS THE PROPERTY OF ADA SIGNAL PROCESSORS, INC. AND MAY NOT BE USED, REPRODUCED OR DISCLOSED IN ANY MANNER WITHOUT THE EXPRESS WRITTEN CONSENT OF ADA SIGNAL PROCESSORS, INC.	ADA SIGNAL PROCESSORS, INC. 7303 D EDGEWATER DRIVE OAKLAND, CA 94621 TITLE: SCHEMATIC PXL SIZE: DRAWN: Lynx DRAWING NUMBER: D700 REV: K NEXT HIGHER ASSEMBLY: ENGR: FMB SCALE: None DATE: 24-NOV-93 SHEET: 1 OF 1
---	--	---

SHEET NO. 1

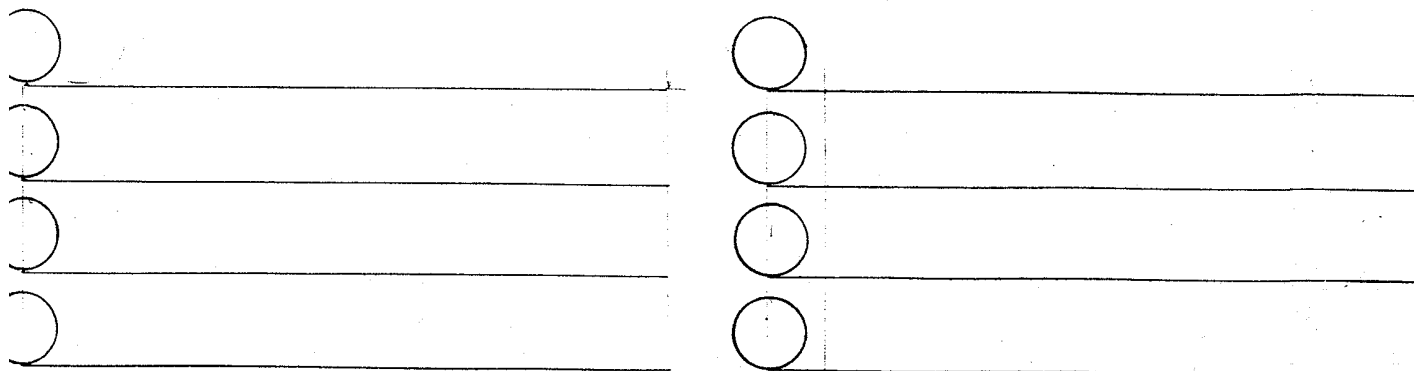
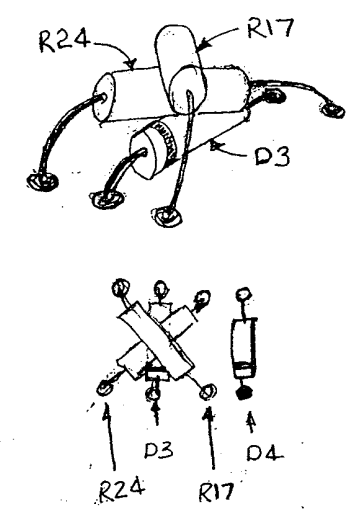
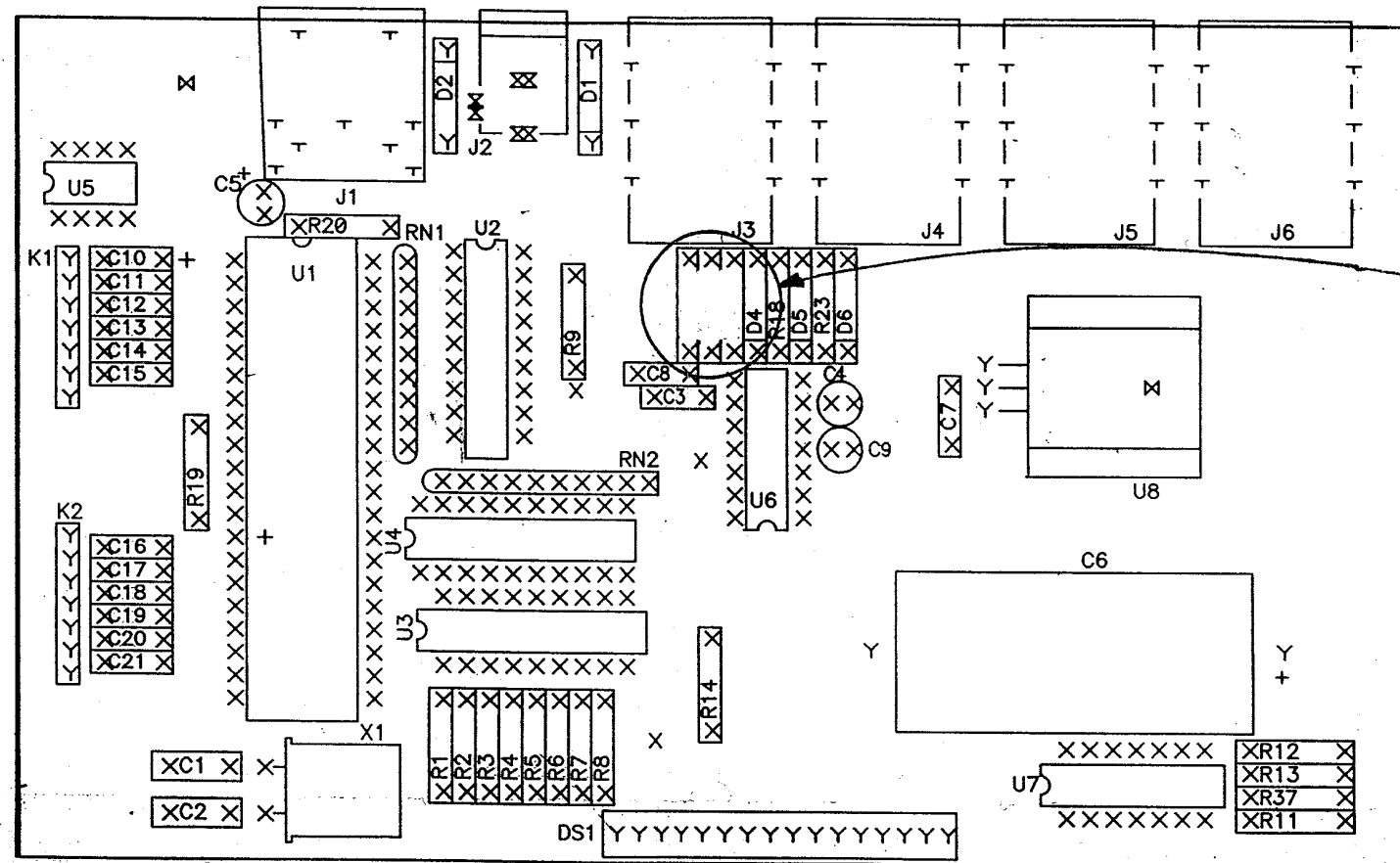
A

B

C

D

REVISION HISTORY				
ZONE	REV.	DESCRIPTION	SIGNATURE	DATE
	A	DWG RELEASE		10/20



THIS DRAWING DOCUMENT CONTAINS INFORMATION WHICH IS PROPRIETARY TO AND THE PROPERTY OF ADA, INC. AND MAY NOT BE USED, REPRODUCED OR DISCLOSED IN ANY MANNER WITHOUT THE EXPRESSED CONSENT OF ADA, INC.

ADA SIGNAL PROCESSORS, INC.
420 LESSER STREET, OAKLAND, CA 94601

FILE NAME: -NA- TITLE: MXC, MIDI CONTROLLER, LOADING CHART (780550)

CHECKED BY: DATE: DRAWN: D.WIRT ENGR: SIZE B DRAWING NO. 916 REV A

APPROVED BY: ENGR: DATE: 10/21/93 SHEET 1 OF 1

© COPYRIGHT 1992 SCALE:

A

B

C

D