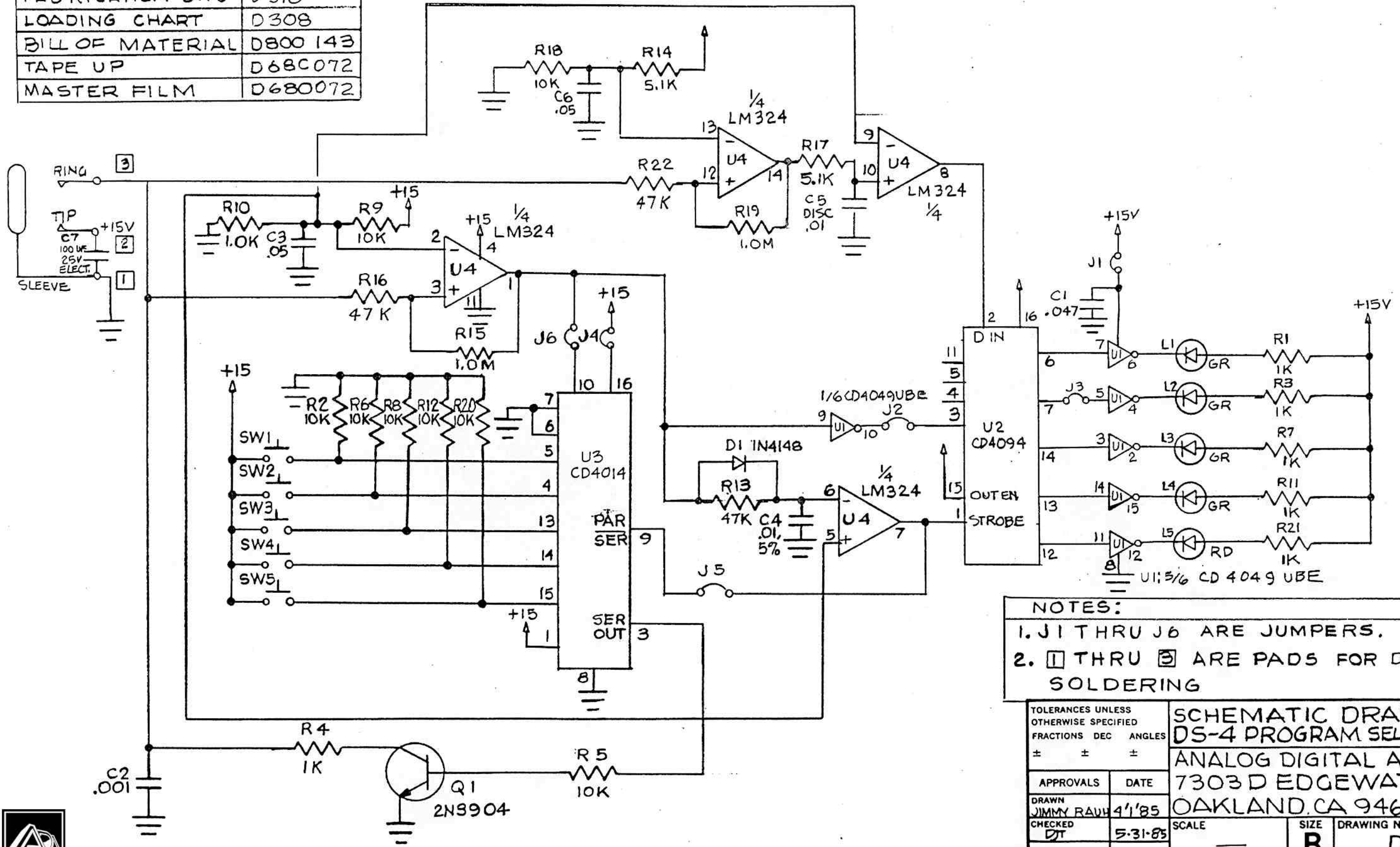


DRAWING PACKAGE	NUMBERS
SCHEMATIC	D309
FABRICATION DWG	D310
LOADING CHART	D308
BILL OF MATERIAL	D800 143
TAPE UP	D68C072
MASTER FILM	D680072

REVISIONS			
LTR	DESCRIPTION	DATE	APPROVED
A	R4, R16, R22, C1, VALUES CHANGED	8-14-85	



NOTES:
 1. J1 THRU J6 ARE JUMPERS.
 2. 1 THRU 3 ARE PADS FOR DIRECT SOLDERING

TOLERANCES UNLESS OTHERWISE SPECIFIED		SCHEMATIC DRAWING	
FRACTIONS	DEC	DS-4 PROGRAM SELECTOR	
±	±	ANALOG DIGITAL ASSOCIATES	
APPROVALS	DATE	7303 D EDGEWATER DRIVE	
DRAWN	4/1/85	OAKLAND, CA 94621-3095	
CHECKED	5-31-85	SCALE	SIZE
			DRAWING NO. REV
			D309 A
DO NOT SCALE DRAWING		SHEET 1 OF 1	

DEPOT <http://www.adadepot.com>