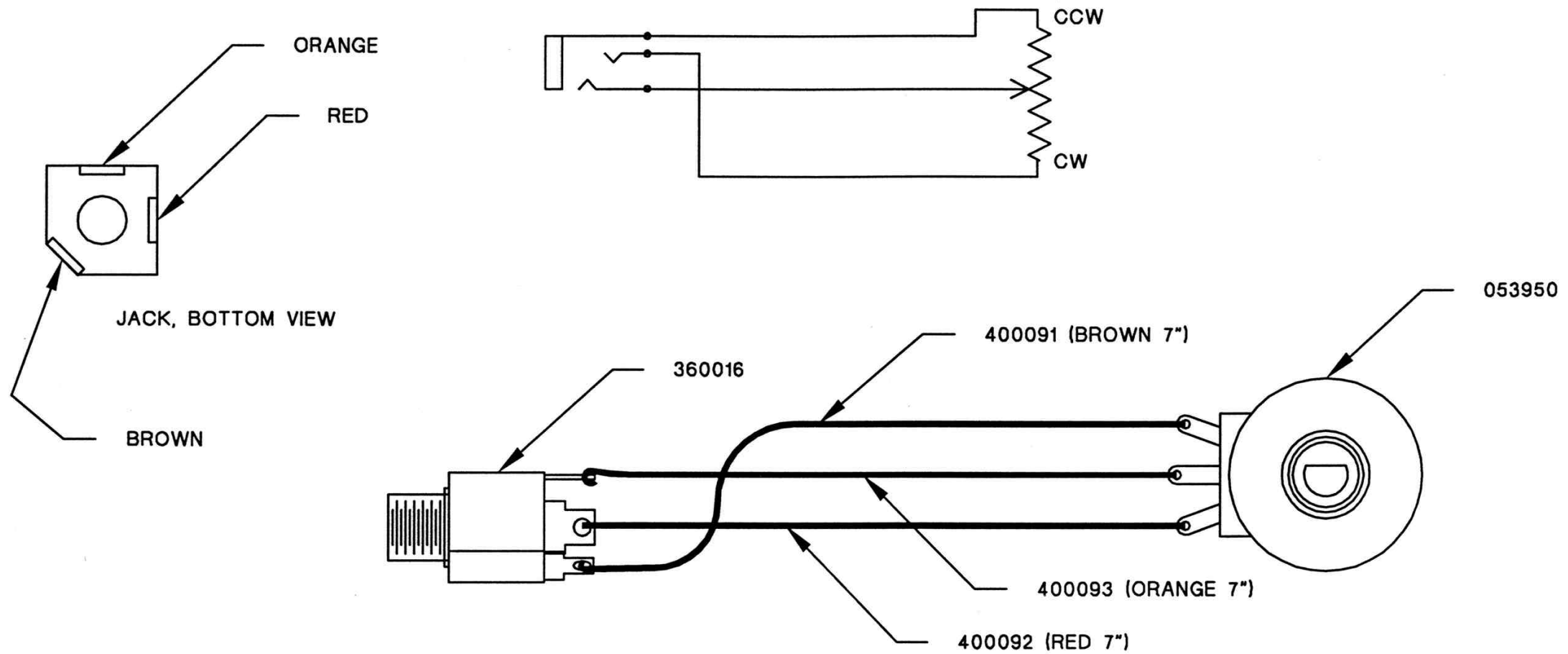



| REVISION HISTORY | | | |
|------------------|-----------------|-----------|---------|
| REV. | DESCRIPTION | SIGNATURE | DATE |
| A | DRAWING RELEASE | | 11/1/93 |
| - | - | | - |



| | | | |
|--|--|--|-----------------|
| THIS DRAWING DOCUMENT CONTAINS INFORMATION WHICH IS PROPRIETARY TO AND THE PROPERTY OF ADA, INC. AND MAY NOT BE USED, REPRODUCED OR DISCLOSED IN ANY MANNER WITHOUT THE EXPRESSED CONSENT OF ADA, INC. | |  SIGNAL PROCESSORS, INC. 420 LESSER STREET, OAKLAND, CA 94601 | |
| FILE NAME: A930A.DWG | TITLE CCP, SCHEMATIC AND WIRING HARNESS ASSEMBLY | | |
| CHECKED BY: | DRAWN: D.WIRT | SIZE A | DRAWING NO. 930 |
| DATE: | ENGR: | © COPYRIGHT 1993 | SCALE: |
| APPROVED BY: | DATE: 11/1/93 | SHEET 1 OF 1 | |
| DATE: | | | |