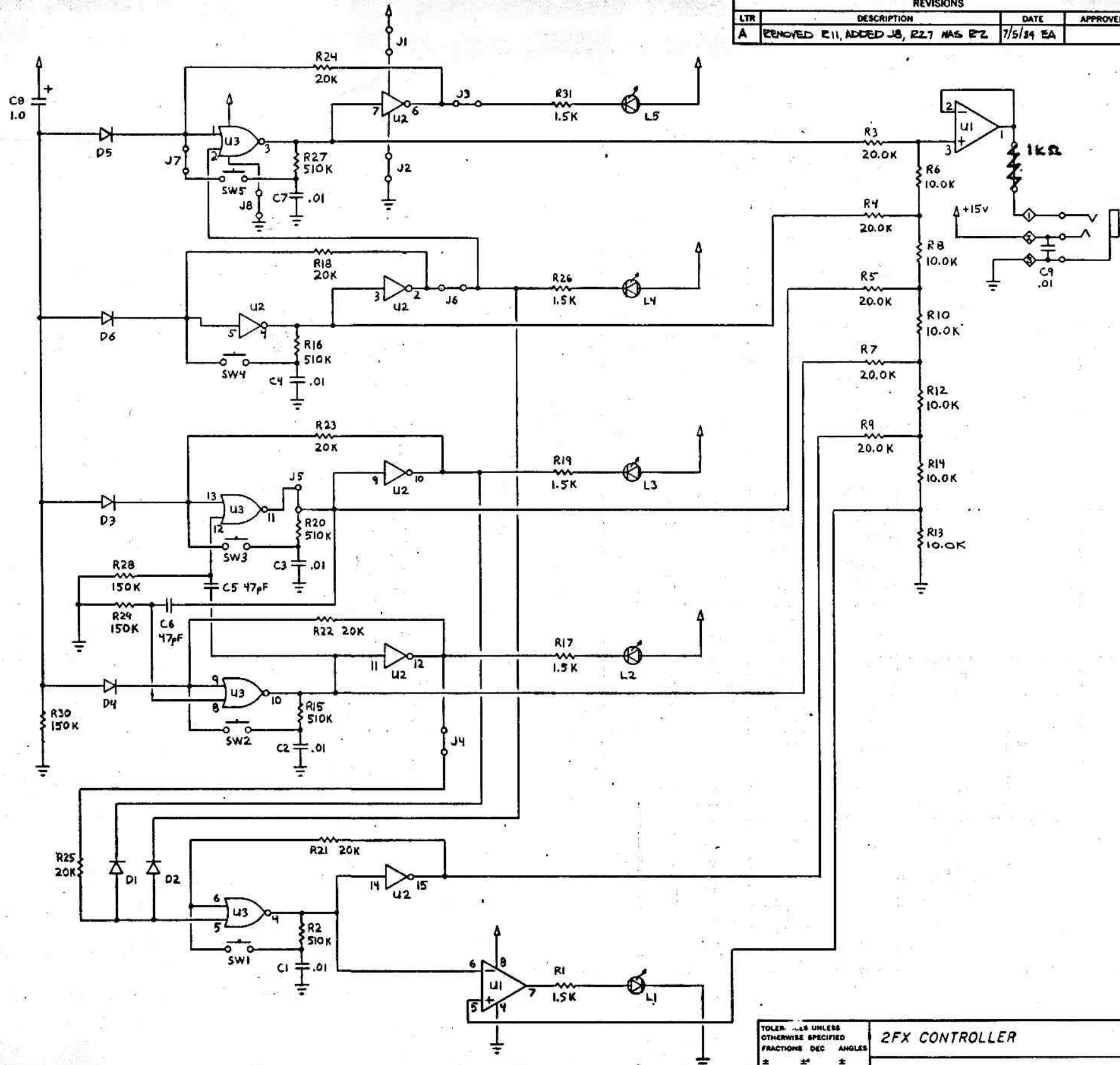


REVISIONS			
LTR	DESCRIPTION	DATE	APPROVED
A	REMOVED R11, ADDED J8, R27 HAS R2	7/5/84 EA	



<http://www.adadepot.com>

TOLERANCES UNLESS OTHERWISE SPECIFIED		FRACTIONS DEC ANGLES		2FX CONTROLLER	
±	±	±	±		
APPROVALS	DATE				
DRAWN NIC	3-8-84				
CHECKED		SCALE	SIZE	DRAWING NO.	REV
			C	D 212	A
DO NOT SCALE DRAWING					SHEET